

IMPORTANT

***CTI Silaplate* Pre mix and Storage Info**

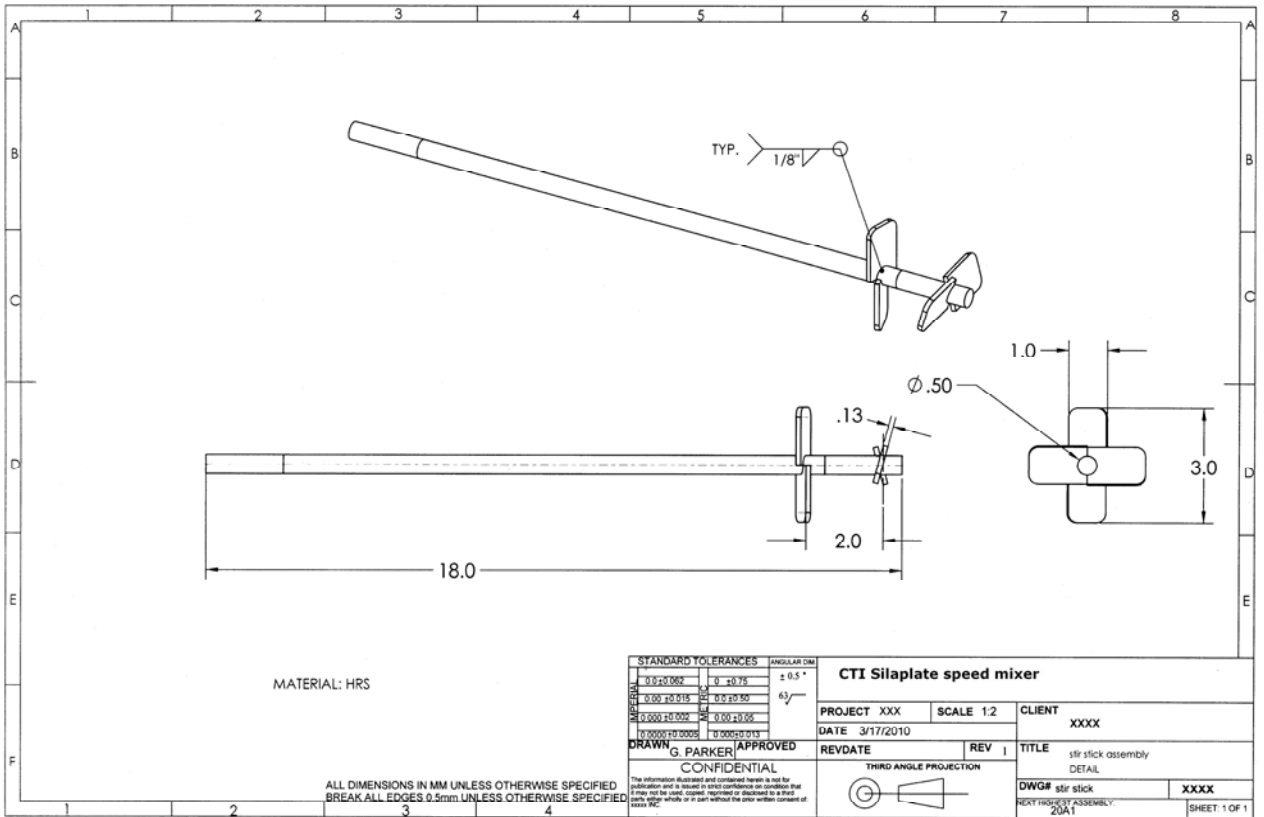
CTI Silaplate should be stored at temperatures above 40 degrees F to prevent freezing.

If Silaplate has been in storage for long periods of time it will settle becoming very stiff in its container and may result in some mixing difficulty.

To remedy this situation it is recommended that each pail be pre-mixed before using, the best way to do this is with a CTI recommended rotating mixer, (drawings provided below) .

With a 1/2 " drive electric or air powered hand drill, use this mixer to pre-mix the contents of each pail before adding hardener or before using in small quantities.

Be sure to clean the mixer of any materials containing hardener each time to prevent contamination to any left over materials.



MATERIAL: HRS

ALL DIMENSIONS IN MM UNLESS OTHERWISE SPECIFIED
 BREAK ALL EDGES 0.5mm UNLESS OTHERWISE SPECIFIED

STANDARD TOLERANCES	ANGULAR DIM
±0.020/0.002	0 ±0.75
±0.001	±0.5°
±0.001 ±0.015	63°
±0.000 ±0.002	0.50 ±0.05
±0.0000 ±0.0002	±0.0001/0.013

CTI Silaplate speed mixer

PROJECT XXX	SCALE 1:2	CLIENT XXXX
DATE 3/17/2010	REVDATE	REV I
DRAWN G PARKER APPROVED		TITLE stir stick assembly DETAIL
CONFIDENTIAL		DWG# stir stick XXXX
THIRD ANGLE PROJECTION		NEXT HOLES/ASSEMBLY: 20A1
		SHEET 1 OF 1

The information illustrated and contained herein is not for publication and is issued in strict confidence on condition that it may not be used, copied, reprinted or disclosed to a third party without the prior written consent of XXXX INC.